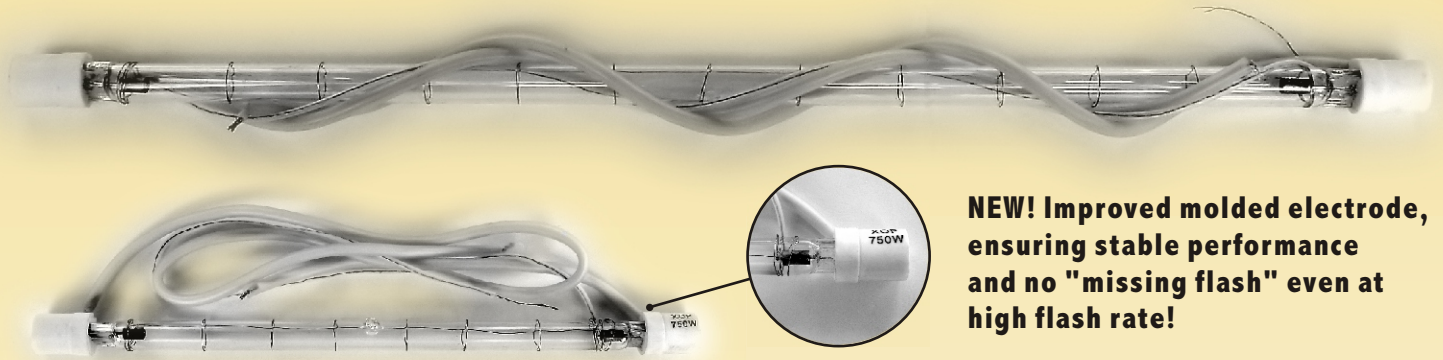


HIGH QUALITY, LONG LIFE, POWERFUL STROBE



NEW! Improved molded electrode, ensuring stable performance and no "missing flash" even at high flash rate!

750W/1500W XENON STROBE TUBES

TYPICAL APPLICATIONS:

- DISCO/STAGE/SHOW LIGHTING

Xenon strobe lamps are widely used for disco/show effects lighting because of the following advantages:

- Instant start and restart
- Excellent color temperature remains constant during entire life span
- Long life and low operating cost
- Diammable
- High efficiency

Technical Data *PSZ & PXR Series Xenon Strobe Lamps*

Product Code	PSZ750	PSZ1500	PXR250	PXR500
Wattage (W)	750	1500	250	500
Supply Voltage (V)	330-630	330-630	330-630	330-630
Luminous Flux (lm/W)	20-25	20-25	20-25	20-25
Avg. Life (Hrs)	500	500	500	500
Color Temperature (K)	5600	5600	5600	5600
Max Length L (mm)	240	390	65	71
Arc Length a (mm)	160	320	28	31
Triggering Voltage (KV)	>6	>6	-	-
Frequency (Hz)	100-120	100-120	100-120	100-120
Ref. Code	XOP7 OF	XOP15 OF	-	*
Fig. No.	1	1	2	3

PXR250 XENON STROBE LAMP

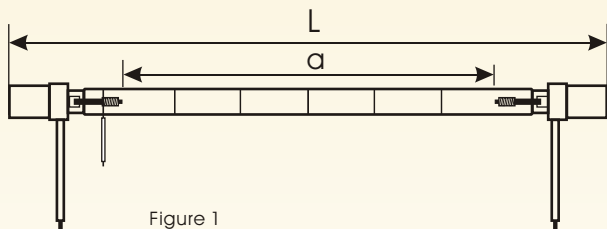
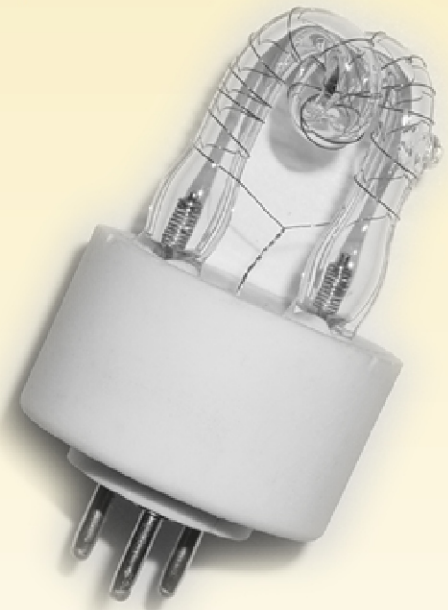


Figure 1

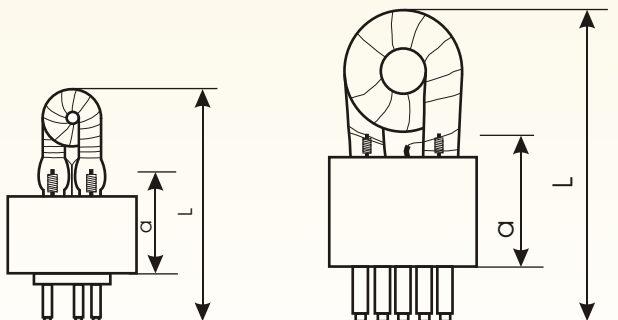


Figure 2

Figure 3

Technical Notes

- 1) All models are ozone-free
- 2) Figures are not to scale
- 3) Photos are not in real size
- 4) *For use with High End® Dataflash® Strobe

SHANGHAI ELECTRICAL LIGHT DEVICE CO., LTD.

401, 3/No. 365 Guang Lin Si Road, Shanghai 200082, China
Tel: +86 21 65921024 / Fax: +86 21 65921514