

HALOGEN LAMPS/WITH DICHROIC REFLECTOR

TYPICAL APPLICATIONS:

- DISCO/STAGE/SHOW LIGHTING
- SLIDE/OVERHEAD PROJECTOR
- MICROFILM, ETC.

Features:

- 1) Dichroic glass reflector dissipating up to 70% infrared heat backward;
- 2) Precisely optical aligned bulb;
- 3) Constant color temperature and luminous output throughout life span.



Technical Data

Product Code	LTC0010	LTC0011	LTC0012	LTC0013	LTC0014	LTC0015	LTC0016	LTC0017
ANSI	DED	EFM	EFN	EFP	EFR	EJL	ELC	ELH
LIF	—	A1/229	A1/230	A1/231	A1/232	A1/252	A1/259	—
Wattage(W)	85	50	75	100	150	200	250	300
Voltage(V)	13.8	8	12	12	15	24	24	120
Color Temperature(K)	3150	3350	3350	3350	3350	3400	3400	3350
Diameter d(mm)	50.67	50.67	50.67	50.67	50.67	50.67	50.67	50.67
Length l(mm)	44.45	44.45	44.45	44.45	44.45	44.45	44.45	44.45
Working Distance a(mm)	165	32	32	32	32	32	30	155
Filament	C6	C6	C6	C6	C6	CC6	CC6	CC8
Base	GX5.3	GZ6.35	GZ6.35	GZ6.35	GZ6.35	GZ6.35	GX5.3	GY5.3
Average Life(hrs)	1000	50	50	50	50	50	50	35
Fig. No.	1	1	1	1	1	1	1	1

Product Code	LTC0018	LTC0019	LTC0020	LTC0021	LTC0022	LTC0025	LTC0027	LTC0028
ANSI	ENG	ENH	ENX	ENX-5	EVW	EYA	FXL	EJV
LIF	—	—	—	—	—	—	—	—
Wattage(W)	300	250	360	360	250	200	410	150
Voltage(V)	120	120	82	86	82	82	82	21
Color Temperature(K)	3450	3250	3200	3300	3300	3300	3300	3300
Diameter d(mm)	50.67	50.67	50.67	50.67	50.67	50.67	50.67	50.67
Length l(mm)	44.45	44.45	44.45	44.45	44.45	44.45	44.45	44.45
Working Distance a(mm)	155	155	300	300	300	300	300	44.5
Filament	CC8	CC8	CC8	CC8	CC8	CC6	CC8	CC6
Base	GY5.3	GY5.3	GY5.3	GY5.3	GY5.3	GY5.3	GY5.3	GX5.3
Average Life(hrs)	15	175	75	70	50	50	50	40
Fig. No.	1	1	1	1	1	1	1	1

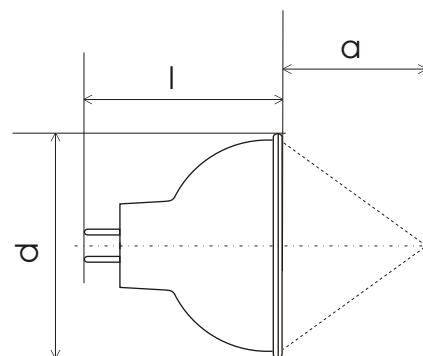


Figure 1

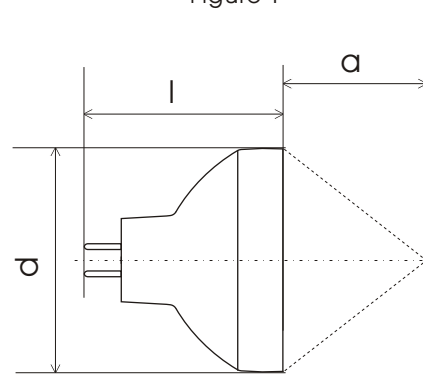


Figure 2

Halogen lamps with MR13 reflector

Product Code	ANSI	Wattage(W)	Voltage(V)	Color Temperature(K)	Diameter d(mm)	Length l(mm)	Working Distance a(mm)	Filament	Base	Average Life(hrs)	Fig. No.
LTC0023	EXR	300	82	3350	42.4	44.4	150	CC8	GX5.3	35	2
LTC0024	EXY	250	82	3200	42.4	44.4	150	CC8	GX5.3	200	2
LTC0026	FHS	300	82	3300	42.4	44.4	150	CC8	GX5.3	70	2

- 1) Figures are not to scale.
- 2) Mains voltage , 82V and 86V lamps have flat pins to prevent wrong insertion.