

## MAINS VOLTAGE HALOGEN LAMPS

### TYPICAL APPLICATIONS:

- DISCO/STAGE/SHOW LIGHTING
- FILM/TV LIGHTING



## Technical Data

Product Code	LTB0040	LTB0041	LTB0042	LTB0043	LTB0044	LTB0045	LTB0046	LTB0047	LTB0048
ANSI	—	FKH	—	DZJ	FVA	—	FWP	FKJ	—
LIF	CP/23	CP/39	A1/245	—	CP/70	CP/24	T/19	CP/71	CP/90
Wattage(W)	650	650	800	900	1000	1000	1000	1000	1200
Voltage(V)	230	230	230	230	230	230	230	230	230
Luminous Flux(lm)	16000	16000	20000	—	25000	26000	20000	25000	30000
Color Temperature(K)	3150	3150	3200	3000	3100	3200	2900	3100	3200
Luminous Center a(mm)	55	63.5	44.5	44.5	55	55	55	63.5	67
Filament(mm)	13x17	13x17	12x15	12x15	13x17	16X17	20x20	13x17	14x16
Base	GX9.5	G22	GY9.5	GY9.5	GX9.5	GX9.5	GX9.5	G22	GX9.5
Average Life(hrs)	100	100	50	75	200	200	750	200	200
Fig. No.	2	3	1	1	2	2	4	3	2

Product Code	LTB0049	LTB0050	LTB0051	LTB0052	LTB0053	LTB0054	LTB0055	LTB0056	LTB0057
ANSI	FWS	—	—	—	—	—	FKW	—	EGR
LIF	T/29	CP/93	CP/92	CP/75	CP/72	CP/91	CP/81	T/11	—
Wattage(W)	1200	1200	2000	2000	2000	2500	300	1000	750
Voltage(V)	230	230	230	230	230	230	120	120	120
Luminous Flux(lm)	25000	30000	50000	50000	50000	60000	6900	22000	18500
Color Temperature(K)	3000	3200	3100	3100	3100	3100	3200	3000	3100
Luminous Center a(mm)	67	63.5	90	75	70	90	46	55	63.5
Filament(mm)	14x16	14x16	20x22	20x22	20x22	20x22	10x10	16x15	13x13
Base	GX9.5	G22	G22	G22	GY16	G22	GY9.5	GX9.5	G22
Average Life(hrs)	400	200	400	400	400	300	50	750	200
Fig. No.	4	3	5	5	6	5	1	2	3

Product Code	LTB0058	LTB0059	LTB0060	LTB0061
ANSI	BVA	EGT	—	—
LIF	—	CP/40	CP/92	CP/79
Wattage(W)	900	1000	2000	2000
Voltage(V)	120	120	120	120
Luminous Flux(lm)	—	24000	50000	50000
Color Temperature(K)	3200	3050	3100	3100
Luminous Center a(mm)	44.5	63.5	90	70
Filament(mm)	11x12	16x18	20x22	20x22
Base	GY9.5	G22	G22	GY16
Average Life(hrs)	75	500	400	400
Fig. No.	1	3	5	6

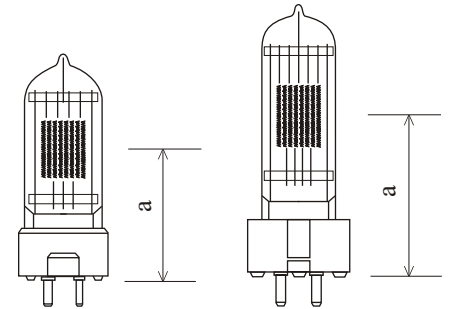


Figure 1

Figure 2

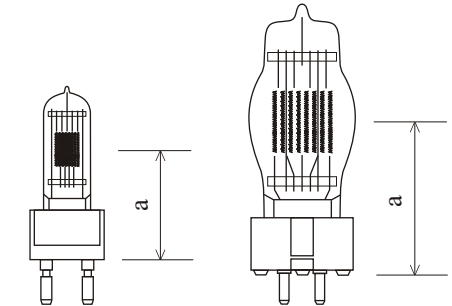


Figure 3

Figure 4

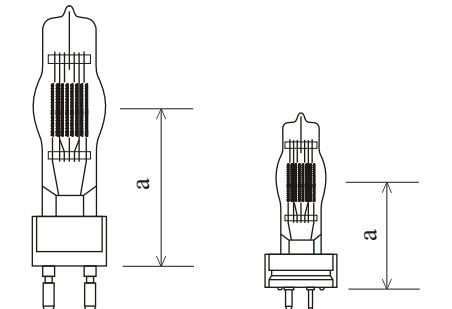


Figure 5

Figure 6

\* Figures are not to scale.